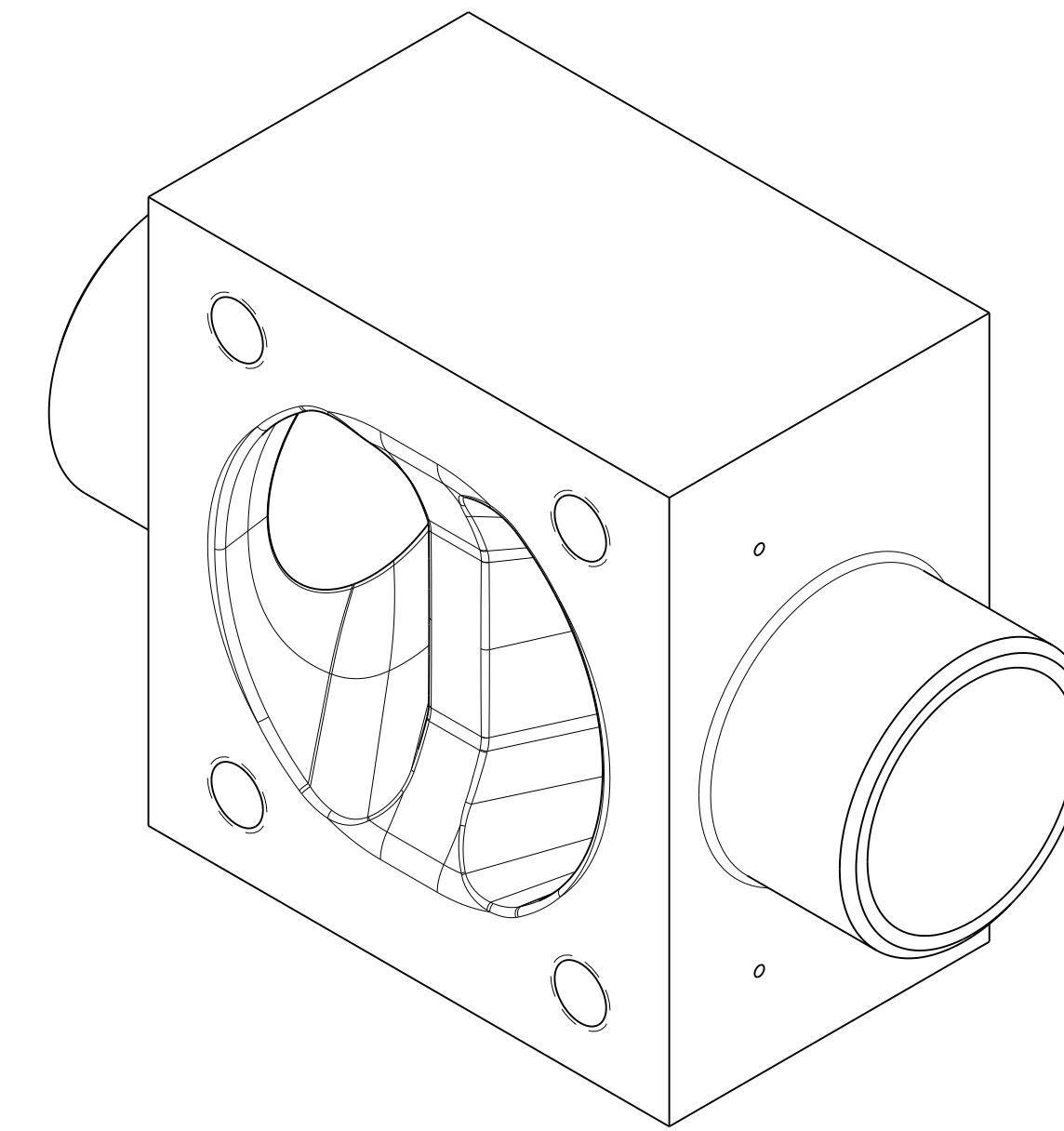
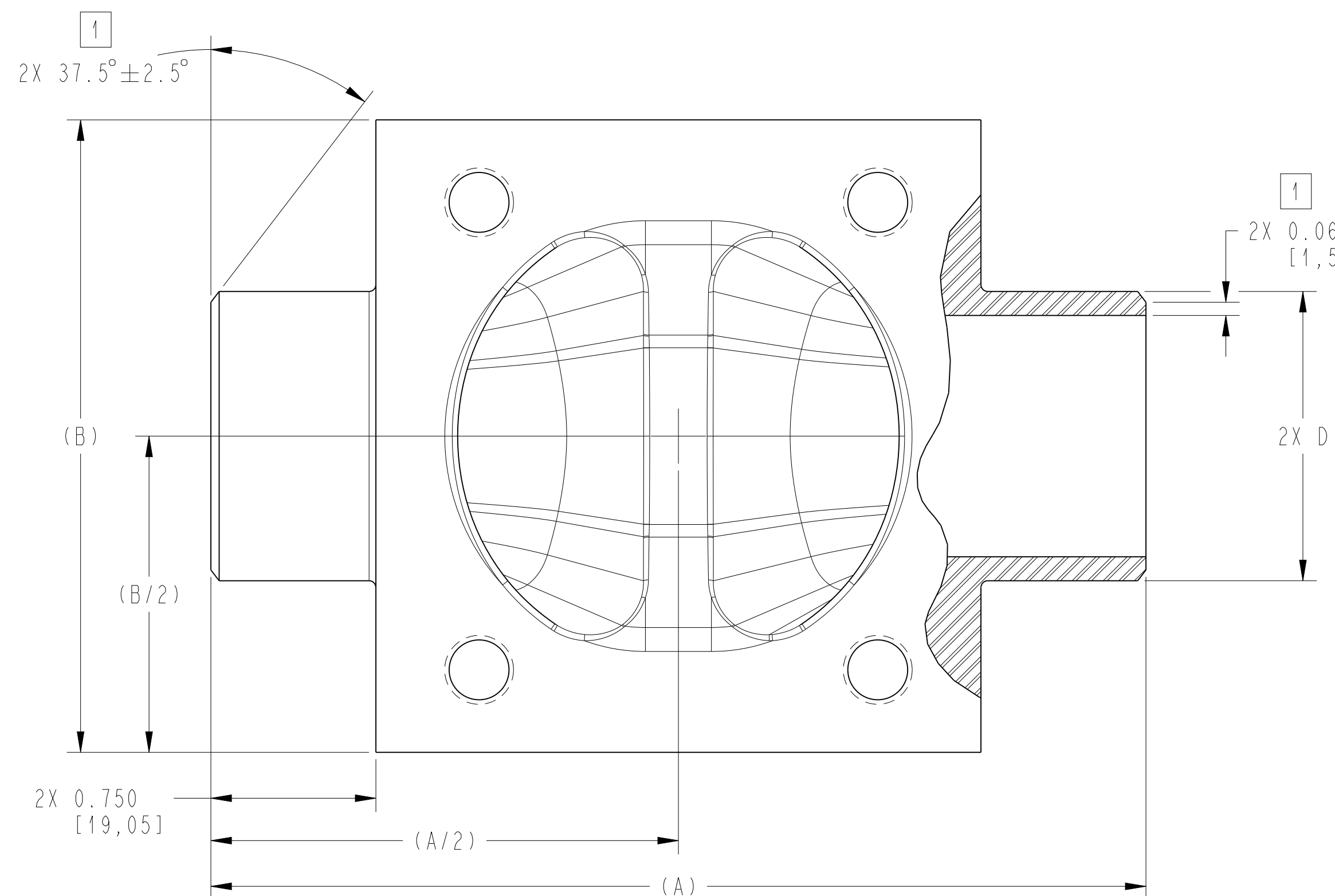


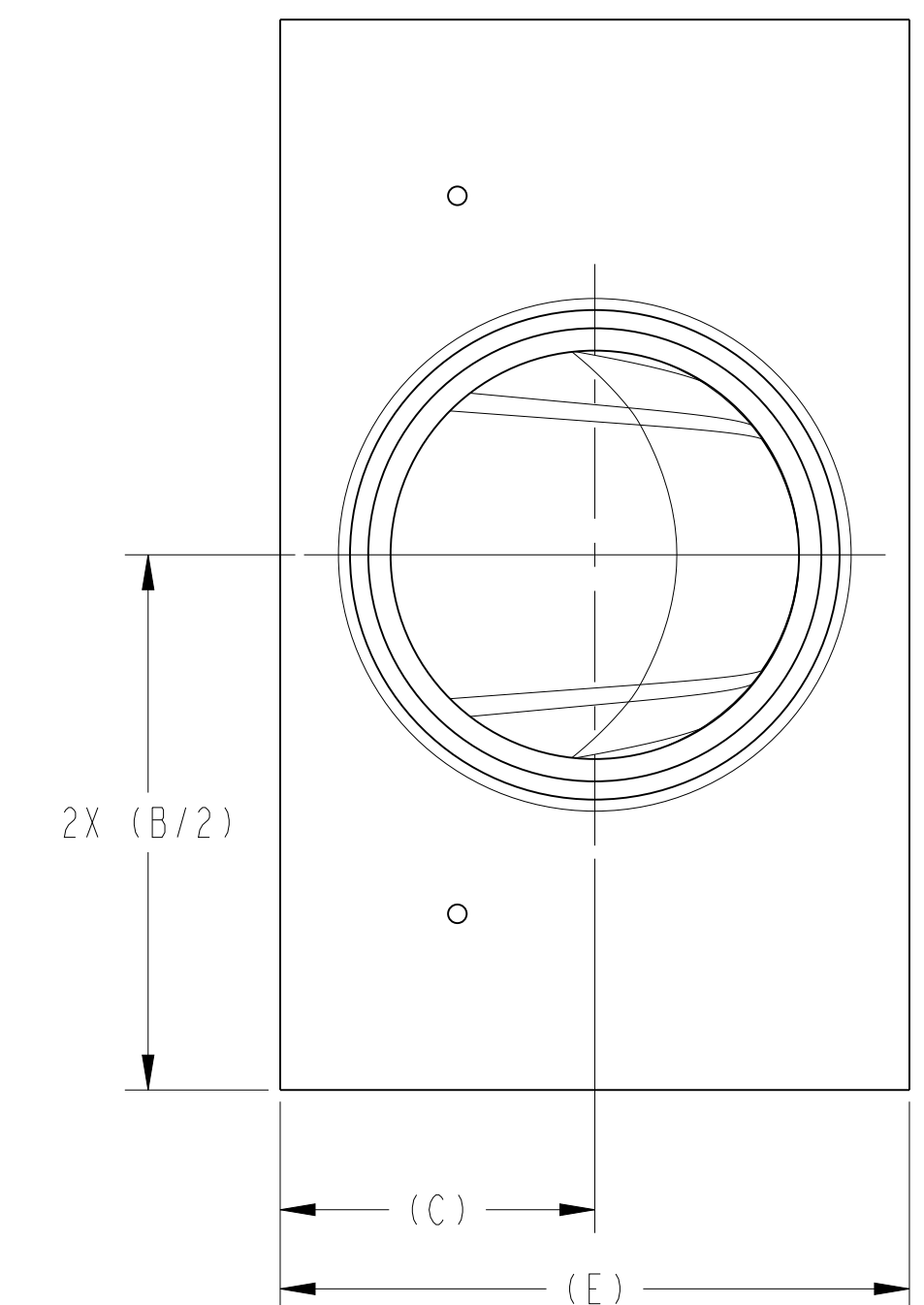
VALVE SIZE	A	B	C	D	E	NOTES
1/2" SCH5	3.375 [85,73]	2.000 [50,80]	0.562 [14,27]	0.840 [21,34]	1.124 [28,55]	
1/2" SCH10	3.375 [85,73]	2.000 [50,80]	0.562 [14,27]	0.840 [21,34]	1.124 [28,55]	
1/2" SCH40	3.375 [85,73]	2.000 [50,80]	0.562 [14,27]	0.840 [21,34]	1.124 [28,55]	
3/4" SCH5	3.875 [98,43]	2.500 [63,50]	0.688 [17,48]	1.050 [26,67]	1.376 [34,95]	
3/4" SCH10	3.875 [98,43]	2.500 [63,50]	0.688 [17,48]	1.050 [26,67]	1.376 [34,95]	
3/4" SCH40	3.875 [98,43]	2.500 [63,50]	0.688 [17,48]	1.050 [26,67]	1.376 [34,95]	
1" SCH5	4.250 [107,95]	2.875 [73,03]	0.845 [21,46]	1.315 [33,40]	1.690 [42,93]	
1" SCH10	4.250 [107,95]	2.875 [73,03]	0.845 [21,46]	1.315 [33,40]	1.690 [42,93]	
1" SCH40	4.250 [107,95]	2.875 [73,03]	0.845 [21,46]	1.315 [33,40]	1.690 [42,93]	1
1-1/2" SCH5	5.125 [130,18]	4.000 [101,60]	1.200 [30,48]	1.900 [48,26]	2.400 [60,96]	
1-1/2" SCH10	5.125 [130,18]	4.000 [101,60]	1.200 [30,48]	1.900 [48,26]	2.400 [60,96]	
1-1/2" SCH40	5.125 [130,18]	4.000 [101,60]	1.200 [30,48]	1.900 [48,26]	2.400 [60,96]	1
2" SCH5	5.750 [146,05]	5.000 [127,00]	1.438 [36,53]	2.375 [60,33]	2.876 [73,05]	
2" SCH10	5.750 [146,05]	5.000 [127,00]	1.438 [36,53]	2.375 [60,33]	2.876 [73,05]	
2" SCH40	5.750 [146,05]	5.000 [127,00]	1.438 [36,53]	2.375 [60,33]	2.876 [73,05]	1
2-1/2" SCH5	7.625 [193,68]	7.375 [187,33]	1.688 [42,88]	2.875 [73,03]	3.376 [85,75]	
2-1/2" SCH10	7.625 [193,68]	7.375 [187,33]	1.688 [42,88]	2.875 [73,03]	3.376 [85,75]	
2-1/2" SCH40	7.625 [193,68]	7.375 [187,33]	1.688 [42,88]	2.875 [73,03]	3.376 [85,75]	1
3" SCH5	7.625 [193,68]	7.375 [187,33]	2.000 [50,80]	3.500 [88,90]	3.875 [98,43]	
3" SCH10	7.625 [193,68]	7.375 [187,33]	2.000 [50,80]	3.500 [88,90]	3.875 [98,43]	
3" SCH40	7.625 [193,68]	7.375 [187,33]	2.000 [50,80]	3.500 [88,90]	3.875 [98,43]	1



ISOMETRIC VIEW



FRONT VIEW



SIDE VIEW

NOTES : (UNLESS OTHERWISE SPECIFIED)

1. WELD PREP INCLUDED WITH INDICATED BODIES ONLY.

PURE-FLO ORDER: - ITEM: -
 CUSTOMER: -
 CUSTOMER PO: -
 OTHER INFO: -

THIS DOCUMENT IS THE SOLE PROPERTY OF ITT CORPORATION, OR ITS SUBSIDIARY, AND IS PROVIDED SUBJECT TO RETURN. IT IS ISSUED IN STRICT CONFIDENCE AND SHALL NOT BE REPRODUCED, OR COPIED, OR DISCLOSED IN WHOLE OR IN PART, OR USED AS THE BASIS FOR THE MANUFACTURE OR SALES OF APPARATUS OR PARTS TO WHICH THE DOCUMENT RELATES, WITHOUT THE EXPRESS WRITTEN CONSENT OF ITT CORPORATION, OR ITS SUBSIDIARY. THIS LEGEND SHALL BE MARKED ON ANY REPRODUCTION HEREOF, IN WHOLE OR IN PART. ALL RIGHTS TO THE INFORMATION AND DESIGN DISCLOSED HEREIN ARE RESERVED TO ITT CORPORATION, OR ITS SUBSIDIARY.

THIRD ANGLE PROJECTION
 UNLESS OTHERWISE NOTED
 INCH MM
 X : ± 0.06 X : ± 1.5
 XX : ± 0.06 XX : ± 1.5
 XXX : ± 0.02 XXX : ± 1.5
 UNLESS OTHERWISE SPECIFIED, ALL DIMENSIONS ARE IN INCHES

DATE	BY
03/15/18	JLN
CHKD	MMA
03/15/18	
APVD	MMA
03/15/18	

VALVE BODY
 EXTENDED ANSI PIPE
 0.50 - 3.00
 SCH5 - SCH40
 MASTER DWG: A30892/
 ECN# 16714

ITT
 www.ittpureflo.com
 D A30892
 SHEET 1 OF 1
 REV -
 ISSUE BY: - CERT BY: -